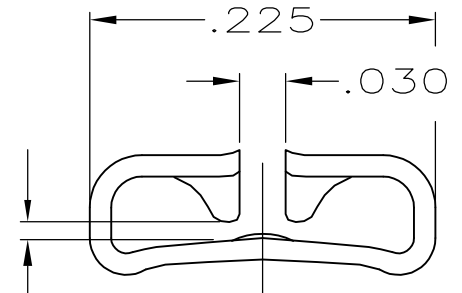
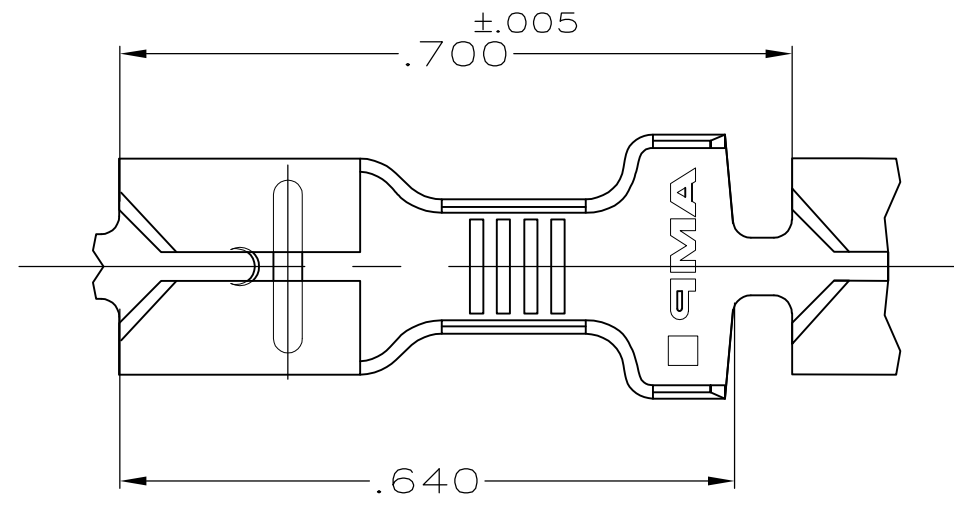


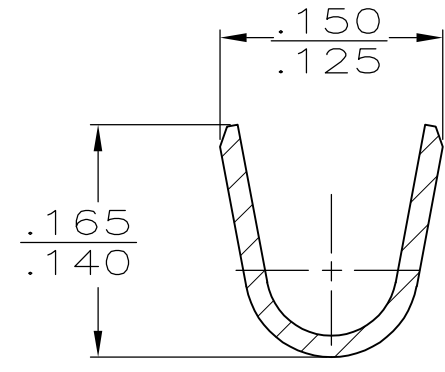
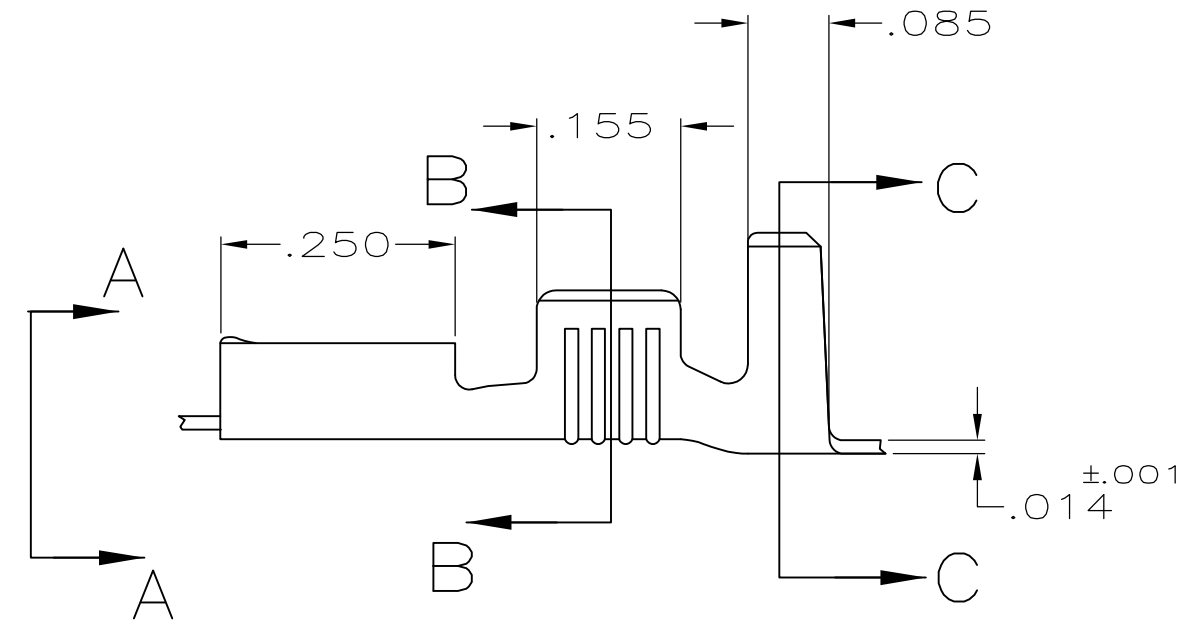
THIS DRAWING IS UNPUBLISHED. RELEASED FOR PUBLICATION  
 © COPYRIGHT - By - ALL RIGHTS RESERVED.

LOC		DIST		REVISIONS					
AF		50		P	LTR	DESCRIPTION	DATE	DWN	APVD
					D	REVISED PER ECR-12-013518	23NOV2012	KH	PD

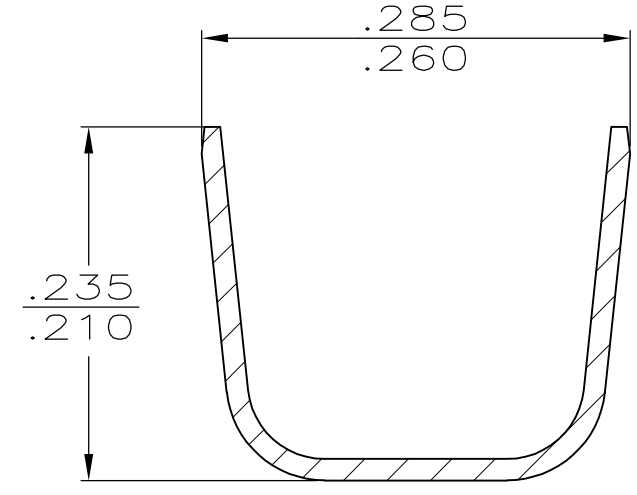


FITS .187 SERIES FASTON TAB  
 VIEW A-A  
 SCALE 8:1

- 1 CONTINUOUS STRIP ON REELS.
- 2 FINISH:  
 63596-1 PLAIN  
 63596-2 PRE-TIN



SECTION B-B  
 SCALE 8:1



SECTION C-C  
 SCALE 8:1

.180 - .230 OR (2) .110 MAX		18-14 OR (2) #16'S		.032	63596-2 63596-1									
INSUL RANGE		WIRE SIZE		MATING TAB THK ±.001	PART NO									
THIS DRAWING IS A CONTROLLED DOCUMENT.		DWN JR RUTH 10/4/90	TE Connectivity  RECEPTACLE, FASTON,™ .187 SERIES											
DIMENSIONS: INCHES		CHK MS FEHER 10/4/90												
TOLERANCES UNLESS OTHERWISE SPECIFIED:		APVD C MEYERS 10/4/90												
<table border="0"> <tr><td>0 PLC</td><td>± -</td></tr> <tr><td>1 PLC</td><td>± -</td></tr> <tr><td>2 PLC</td><td>± -</td></tr> <tr><td>3 PLC</td><td>± .010</td></tr> <tr><td>4 PLC</td><td>± -</td></tr> <tr><td>ANGLES</td><td>± -</td></tr> </table>		0 PLC				± -	1 PLC	± -	2 PLC	± -	3 PLC	± .010	4 PLC	± -
0 PLC	± -													
1 PLC	± -													
2 PLC	± -													
3 PLC	± .010													
4 PLC	± -													
ANGLES	± -													
MATERIAL BRASS		FINISH 2	APPLICATION SPEC -	NAME	RESTRICTED TO									
CUSTOMER DRAWING			WEIGHT -	SIZE A3	CAGE CODE 00779									
			DRAWING NO C-63596	SCALE 5:1	SHEET 1 OF 1									
			REV D											